

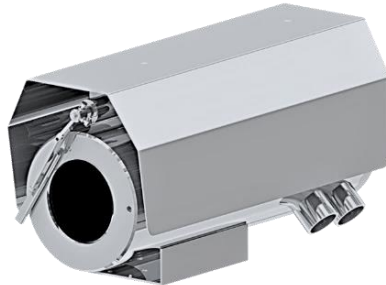
SS1CH Series with BOSCH Camera

Stainless Steel Weatherproof Fixed Camera Housing

Integrated with 2MP Bosch DINION 6000 Camera Module and 8mm Fixed Lens



SS1CH



SS1CH-W



SS1CH-LEDW

Main Features



Marine grade
AISI316L Stainless
Steel material



Operating
Temperature -40°C to
60°C



IP 66 / 68



Vandal-proof IK10
ratings



Bosch 2MP Box
Camera DINION IP
starlight 6000 HD



8mm Fixed Lens
(other options available
upon request)



Option for IEEE
802.3at PoE+



Options for LED
illuminator available

Technical Data

General	
Ingress Protection	IP 66 / 68
Operating Temperature	-40°C to 60°C
Relative Humidity	≤95%
Mechanical	
Body Material	AISI316L Stainless Steel
Sight Glass Material	Window with hardened mineral clear tempered glass
	Window with Germanium glass (for SS1CH-G and SS1CH-GL models)
Overall Dimension (WxHxD)	<i>Please refer to overall dimension drawings of each model.</i>
Internal Usable Size for Camera Module	Ø90 x 282 mm
Cable Entry	2 x M25
Weight	Approximate 20KG
Electrical	
Operating Voltage	AC110-240V (0.5A - 1.10A), 50/60Hz Optional: IEEE 802.3at PoE+
Power Consumption	Max 110W (110V), Max 120W (240V)
Thermostatically Controlled Heater	T°C on: <10°C, T°C off: >10°C
Optional	
Wiper Mechanism	Available for SS1CH-W and SS1CH-LEDW model
LED Illumination	Up to 200 meters (Available for SS1CH-LED and SS1CH-LEDW model)
Accessories	
Standard	Sunshield, Swivel Joints
Optional	Wall Bracket

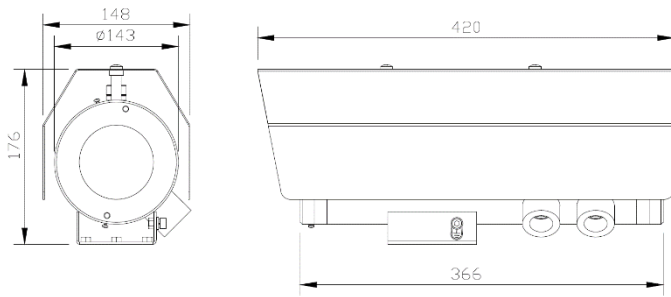
IP Camera/Lens

Camera	
Day/Night	Auto (adjustable switch points), Color, Monochrome
Shutter Time	Automatic Electronic Shutter (AES); Fixed shutter (1/25[30] to 1/15000) selectable; Default shutter
Noise Reduction	Intelligent Dynamic Noise Reduction Intelligent Streaming
Image Settings	Color, Brightness, Sharpness, Contrast, White Balance, Exposure Control, Masking, Text Overlay
Corridor Mode	Corridor Mode 90°, 180°, 270° rotation
Image	
Image Sensor	1/2.8" Progressive CMOS
Effective Pixels	HxV = 1920x1080 (2MP)
Pixel Size	4 μm
Lens	8mm Fixed Lens (other lens options available upon request)
Focus	Manual (other lens options available upon request)
Iris	Manual (other lens options available upon request)
Min. Illumination	Color: 0.0069Lux B/W: 0.0008Lux
Compression Standard	
Video Compression	H.264/MJPEG
Video Streaming	Multiple configurable streams in H.264 and MJPEG, configurable frame rate and bandwidth. Regions of Interest (ROI)
Network	
Security	User Authentication/ HTTPS/ IP Filter/ IEEE 802.1x
Supported Protocols	IPv4, IPv6, UDP, TCP, HTTP, HTTPS, RTP/RTCP, IGMP V2/V3, ICMP, ICMPv6, RTSP, FTP, ARP, DHCP, APIPA (Auto-IP, link local address), NTP (SNTP), SNMP (V1, V3, MIB-II), 802.1x, DNS, DNSv6, DDNS (DynDNS.org, selfHOST.de, noip.com), SMTP, iSCSI, UPnP (SSDP), DiffServ (QoS), LLDP, SOAP, Dropbox™, CHAP, digest authentication
ONVIF	Profile S/ G/ M/ T conformant
System Integration	
Analytics	Rule-based alarms and tracking, Line crossing, Enter /leave the field, Follow route Loitering, Idle/removed object, People counting, Crowd density estimation, 3D tracking, Audio detection (if microphone used)
General	
Storage	Supports up to 32 GB microSDHC / 2 TB microSDXC card. Extreme lifetime and health monitoring support that provides early service indication. Recommended: Industrial microSD cards with health monitoring

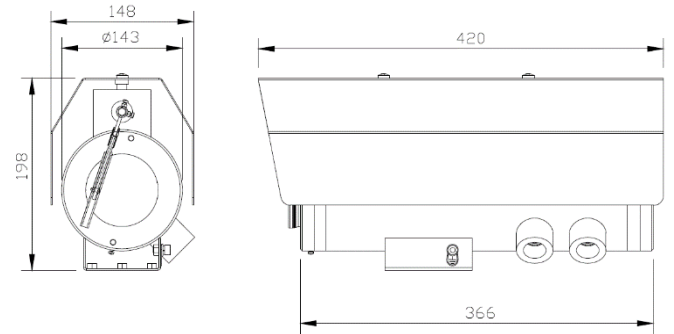
*Analog camera and other camera module options are available upon request.

*Thermal camera options are available for G model. Please contact us for the details

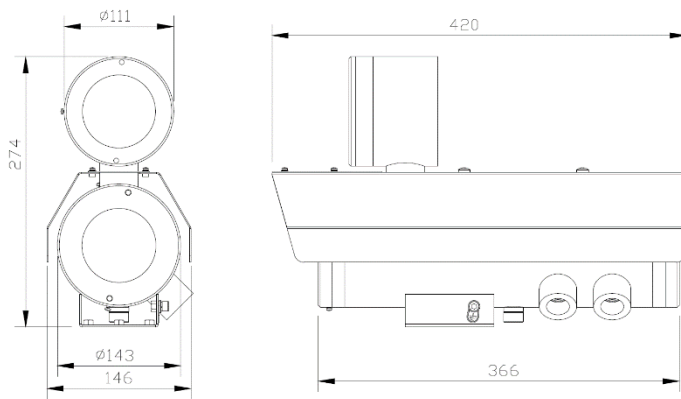
Outline Dimensions (mm)



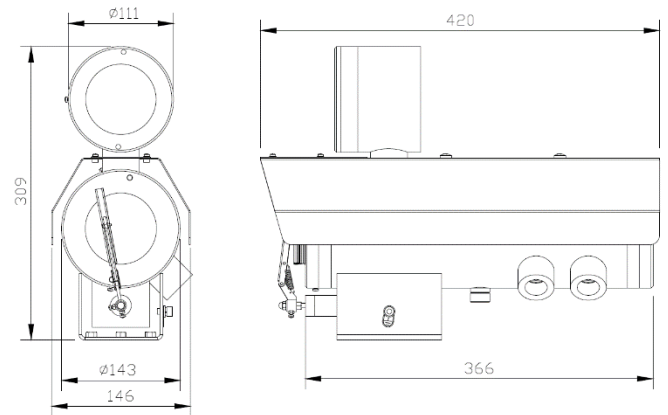
SS1CH Outline Dimensions



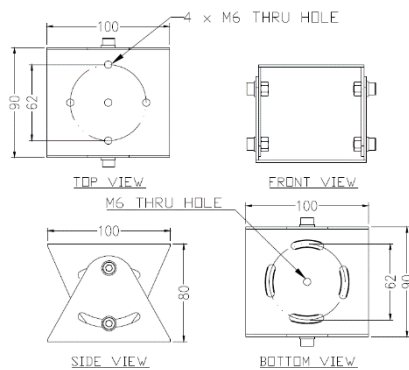
SS1CH-W Outline Dimensions



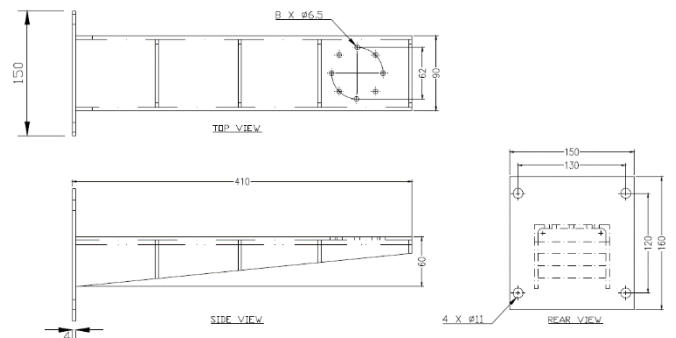
SS1CH-LED Outline Dimensions



SS1CH-LEDW Outline Dimensions



SJ-SS1CH - Swivel Joints Outline Dimensions



WB-SS1CH - Wall Bracket Outline Dimensions

SS1CH - X - BH - 02F8 - X

POE Options

Blank : No additional option
POE : POE+

Additional Options

Blank : No additional option
W : Fitted with wiper mechanism
LED : With LED Illuminator
LEDW : With LED Illuminator and Wiper

Standard Accessories

SCH-SS1CH : Sunshield for Camera Housing (for SS1 series without LED illuminator)
SCH-SS1CH-LED : Sunshield for Camera Housing with LED illuminator (for SS1CH-LED and SS1CH-LEDW)
SJ-SS1CH : Swivel Joints

Optional Accessories

WB-SS1CH : Wall Bracket