

## SS1PTZ Series with BOSCH Camera

### Stainless Steel Weatherproof PTZ Camera Station

Integrated with 2MP Bosch DINION 6000 Camera Module and 17x Optical Zoom Autofocus Lens



SS1PTZ-W



SS1PTZ-LEDW

### Main Features



Marine grade  
AISI316L Stainless  
Steel material



IP 66 / 68



Vandal-proof IK10  
ratings



Option for LED  
illuminator available



Option for IEEE  
802.3bt PoE++  
(90Watt)



Bosch 2MP Box  
Camera DINION IP  
starlight 6000 HD



17x Optical Zoom  
Motorized Lens  
with Autofocus

## Technical Data

General	
Protection Level	IP 66 / 68, TVS 6000V Lightning Protection, Surge Protection and Voltage Transient Protection
Operating Temperature	-40°C to 60°C
Relative Humidity	≤95%
Mechanical	
Body Material	Stainless steel 316L material
Sight Glass Material	Window with hardened mineral clear tempered glass
	Window with Germanium glass (for SS1PTZ-G and SS1PTZ -GL model)
Pan & Tilt Speed	Variable speed option: 0.1 <sup>0</sup> /s to 45 <sup>0</sup> /s
Pan & Tilt Movement	Pan: 360° continuously   Tilt: -90° ~ +90°
Overall Dimension (WxHxD)	<i>Please refer to overall dimension drawings of each model.</i>
Internal Usable Size for Camera Module	Ø95 x 363 mm
Cable Entries	1 x M25 (optional additional cable entry upon request)
Weight	Approximate 40KG
Electrical	
Operating Voltage	AC110-240V (0.5A - 1.10A), 50/60Hz Optional: IEEE 802.3bt PoE++(90W)
Power Consumption	Max 110W (110V), Max 120W (240V)
Thermostatically Controlled Heater	T°C on: <10°C, T°C off: >10°C
Optional	
LED Illumination	Up to 200 meters (for SS1PTZ-LEDW model)
Accessories	
Standard	Sunshield for Camera Housing
Optional	Wall Bracket, Sunshield for Pan & Tilt Body

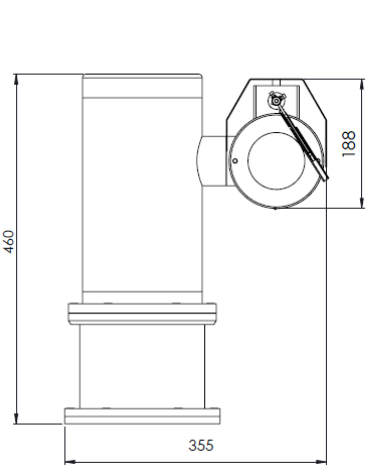
## IP Camera/Lens

Camera	
Day/Night	Auto (adjustable switch points), Color, Monochrome
Shutter Time	Automatic Electronic Shutter (AES); Fixed shutter (1/25[30] to 1/15000) selectable; Default shutter
Noise Reduction	Intelligent Dynamic Noise Reduction Intelligent Streaming
Image Settings	Color, Brightness, Sharpness, Contrast, White Balance, Exposure Control, Masking, Text Overlay
Corridor Mode	Corridor Mode 90°, 180°, 270° rotation
Image	
Image Sensor	1/2.8" Progressive CMOS
Effective Pixels	HxV = 1920x1080 (2MP)
Pixel Size	4 μm
Lens	f =7.5 mm (wide) to 127.0 mm (tele), F1.6
Zoom	17x Optical Zoom with Autofocus
Min. Illumination	Color: 0.0069Lux      B/W: 0.0008Lux
Compression Standard	
Video Compression	H.264/MJPEG
Video Streaming	Multiple configurable streams in H.264 and MJPEG, configurable frame rate and bandwidth. Regions of Interest (ROI)
Network	
Security	User Authentication/ HTTPS/ IP Filter/ IEEE 802.1x
Supported Protocols	IPv4, IPv6, UDP, TCP, HTTP, HTTPS, RTP/RTCP, IGMP V2/V3, ICMP, ICMPv6, RTSP, FTP, ARP, DHCP, APIPA (Auto-IP, link local address), NTP (SNTP), SNMP (V1, V3, MIB-II), 802.1x, DNS, DNSv6, DDNS (DynDNS.org, selfHOST.de, noip.com), SMTP, iSCSI, UPnP (SSDP), DiffServ (QoS), LLDP, SOAP, Dropbox™, CHAP, digest authentication
ONVIF	Profile S/ G/ M/ T conformant
System Integration	
Analytics	Rule-based alarms and tracking, Line crossing, Enter /leave the field, Follow route Loitering, Idle/removed object, People counting, Crowd density estimation, 3D tracking, Audio detection (if microphone used)
General	
Storage	Supports up to 32 GB microSDHC / 2 TB microSDXC card. Extreme lifetime and health monitoring support that provides early service indication. Recommended: Industrial microSD cards with health monitoring

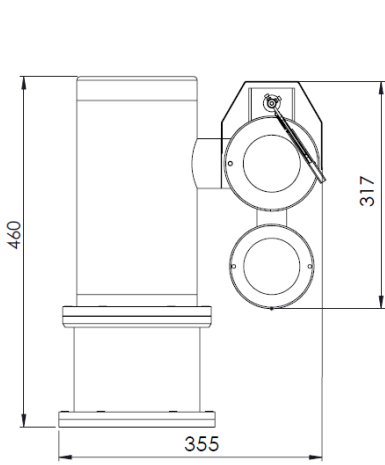
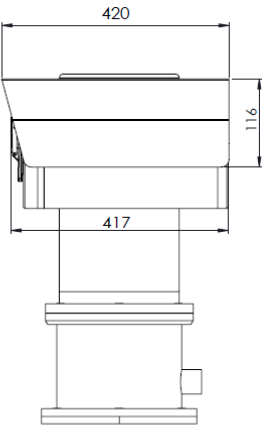
\*Analog camera and other camera module options are available upon request.

\*Thermal camera options are available for G model. Please contact us for the details

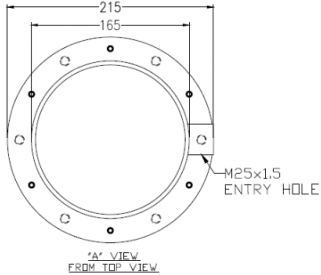
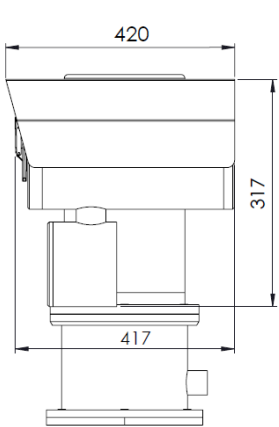
## Outline Dimensions (mm)



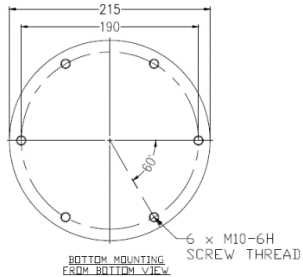
SS1PTZ-W Outline Dimensions



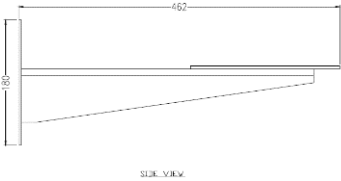
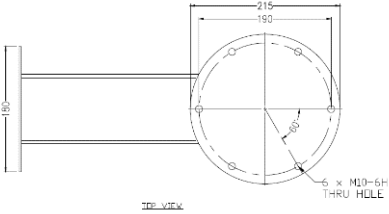
SS1PTZ-LEDW Outline Dimensions



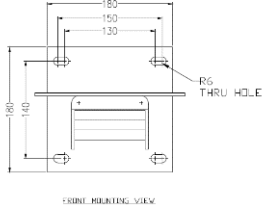
Base View from Top



Base View from Bottom for Mounting



WB-SS1PTZ - Wall Bracket Outline Dimensions



SS1PTZ - X - BH - 0217 - X



POE Options

Blank : No additional option  
POE : POE++

Camera Station Options

W : Fitted with wiper mechanism  
LEDW : With LED Illuminator and Wiper

## Standard Accessories

SCH-SS1PTZ : Sunshield for Camera Housing

## Optional Accessories

WB-SS1PTZ : Wall Bracket

SPT-SS1PTZ : Sunshield for Pan & Tilt Body