

## SS1LED Series

Stainless Steel Weatherproof Small Camera Housing



### Main Features

---



Marine grade  
AISI316L Stainless  
Steel material



Operating  
Temperature -40°C to  
60°C



IP 66 / 68



Possible to integrate  
with different type of  
3rd party camera  
module



Vandal-proof IK10  
ratings

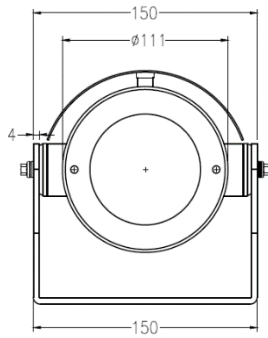
## Technical Data

General	
Impact Protection	IK10
Ingress Protection	IP 66 / 68
Operating Temperature	-40°C to 60°C
Relative Humidity	≤95%
IR Illumination	Up to 30 meters
Mechanical	
Body Material	AISI316L Stainless Steel
Sight Glass Material	Window with hardened mineral clear tempered glass
Overall Dimension (WxHxD)	<i>Please refer to overall dimension drawings below</i>
Internal Usable Size for Camera Module	Ø80 x 50mm
Cable Entry	1 x M25
Weight	Approximate 5KG
Angle Adjustment	Pan: 0° to 360°, Tilt Downwards: 0° to 90°
Electrical	
Operating Voltage	DC12V ± 25% / POE (802.3af)
Power Consumption	Max 6W (12V), Max 8W (PoE)
Accessories	
Standard	Sunshield
Optional	Wall Bracket

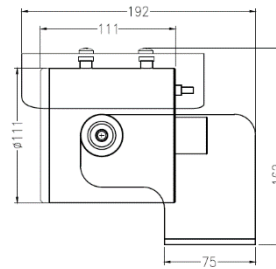
## IP Camera/Lens

	8MP, IP	5MP, IP	2MP, IP
<b>Camera</b>			
Sensor	1/2.8" CMOS		
Focal Length	2.8mm / 4.0mm	4.0mm	2.8mm
Focus	F1.6		
Horizontal Angle of View	97.8° (2.8mm) / 87.8° (4.0mm)	77.9°	92°
Illumination Requirement	Color: 0.002Lux B/W: 0Lux with IR		
Day/Night	Dual IR Cut Filter with Auto Switch		
Effective Pixels (HxV)	3840x2160	2592 × 1944	1920 × 1080
Main Stream	PAL: 20fps (3840x2160, 3072x2048), 25fps (2560x1440, 2304x1296, 1920x1080, 1280x720)	PAL: 25fps (2592x1944, 2592x1520, 2560x1440, 2304x1296), 50fps (1920x1080, 1280x720)	PAL: 25fps (1920x1080, 1280x720, 704x576, 640x480)
	NTSC: 20fps (3840x2160, 3072x2048), 30fps (2560x1440, 2304x1296, 1920x1080, 1280x720)	NTSC: 30fps (2592x1944, 2592x1520, 2560x1440, 2304x1296), 60fps (1920x1080, 1280x720)	NTSC: 30fps (1920x1080, 1280x720, 704x480, 640x480)
Sub Stream	PAL: 25fps (704x576, 704x288, 352x288, 640x360)	PAL: 25fps (704x576, 704x288, 640x480, 352x288)	PAL: 25fps (704x576, 704x288, 640x480, 352x288)
	NTSC: 30fps (704x480, 704x240, 352x240, 640x360)	NTSC: 30fps (704x480, 704x240, 640x480, 352x240)	NTSC: 30fps (704x480, 704x240, 640x480, 352x240)
Third Stream	PAL: 25fps (704x576, 704x288, 352x288, 640x480)	PAL: 25fps (1920x1080, 1280x720, 704x576, 704x288, 640x480, 352x288)	PAL: 25fps (704x576, 704x288, 352x288)
	NTSC: 30fps (704x480, 704x240, 352x240, 640x480)	NTSC: 30fps (1920x1080, 1280x720, 704x480, 704x240, 640x480, 352x240)	NTSC: 30fps (704x480, 704x240, 352x240)
On-board Storage	Built-in Micro-SD card slot, up to 512 GB		
<b>Network</b>			
Protocols	HTTP, HTTPS, TCP/IP, UDP, UPnP, ICMP, IGMP, SNMP, DHCP, DNS, DDNS, Easy DDNS, NTP, SSL, 802.1X, QoS, IPV4, IPV6, PPPoE, SSH, Unicast, Multicast, RTCP, ARP		
System Compatibility	ONVIF (PROFILE S/T/G), P2P		
Mobile Viewer Apps	Android and iOS		
<b>Feature</b>			
Supported Video Analytics Events	Tripwire, Perimeter	Tripwire, Double Tripwire, Perimeter, Object Abandon, Object Lost, Loitering, Running, Parking, Crowd, People Counting, On Duty Detection, Video Abnormal, Heatmap, Safety Helmet Detection	Tripwire, Perimeter
	Support detection and classification of specific target types (people or vehicle) to remove false alarm caused by animals, leaves etc		

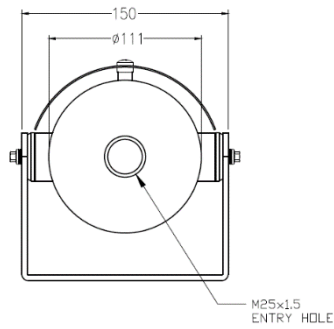
## Outline Dimensions (mm)



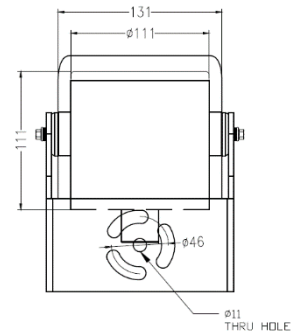
SS1LED Front Dimensions



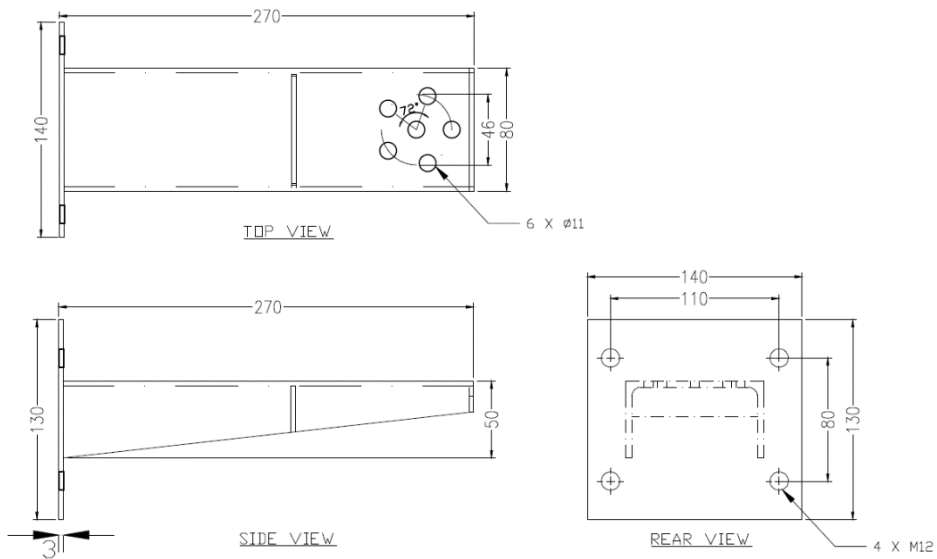
SS1LED Side Dimensions



SS1LED Rear Dimensions



SS1LED Bottom Dimensions



WB-SS1LED Dimensions

SS1LED - X



Camera Module Options

8M (2.8)	: 8MP (2.8mm), IP Camera
8M (4)	: 8MP (4.0mm), IP Camera
5M	: 5MP, IP Camera
2M	: 2MP, IP Camera

## Standard Accessories

SCH-SS1LED : Sunshield for Small Camera Housing

## Optional Accessories

WB-SS1LED : Wall Bracket for Small Camera Housing