

SS1PTZ-AC-22x4K Series

Stainless Steel Weatherproof PTZ Air-Cooled Camera Station

Integrated with 8MP [4K] 22x Optical Zoom Ventionex VX2 Sony Sensor Camera Module



SS1PTZ-AC



SS1PTZ-AC-LED

Main Features



Marine grade
AISI316L Stainless
Steel material



IP 66 / 67



Vandal-proof IK10
ratings



Option for LED
illuminator available



Operating
Temperature -40°C to
100°C



8MP [4K] Resolution
22x optical zoom lens



Motorized 6.4 -
138.5 mm

Technical Data

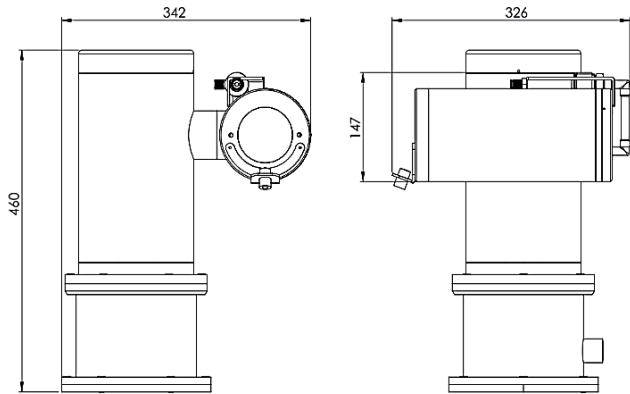
General	
Ingress Protection	IP66 / 67
Operating Temperature	-40°C to 100°C <i>(require appropriate pressure & temperature of incoming compressed air)</i>
Mechanical	
Body Material	Stainless steel 316L material
Sight Glass Material	Borosilicate Front Window with Thickness 5 mm
Pan & Tilt Speed	Variable speed option: 0.1°/s to 45°/s
Pan & Tilt Movement	Pan: 360° continuously or mechanical limit Tilt: -90° ~ +90°
Overall Dimension (WxHxD)	<i>Please refer to overall dimension drawings of each model.</i>
Weight	Approximate 31KG
Internal Usable Size for Camera Module	Ø105 x 200 mm
Cable Entries	1 x M25 <i>(additional cable entry upon request)</i>
Electrical	
Operating Voltage	AC110-240V, 50/60Hz
Power Consumption	Max 110W (110V), Max 120W (240V)
Thermostatically Controlled Heater	T°C on: <10°C, T°C off: >10°C
Optional	
LED Illumination	Up to 150 meters (for SS1PTZ-AC-LED model)
Accessories	
Optional	Wall Bracket, Sunshield for Pan & Tilt Body, Pole Top Mount Adapter, Air Filter Regulator

IP Camera/Lens

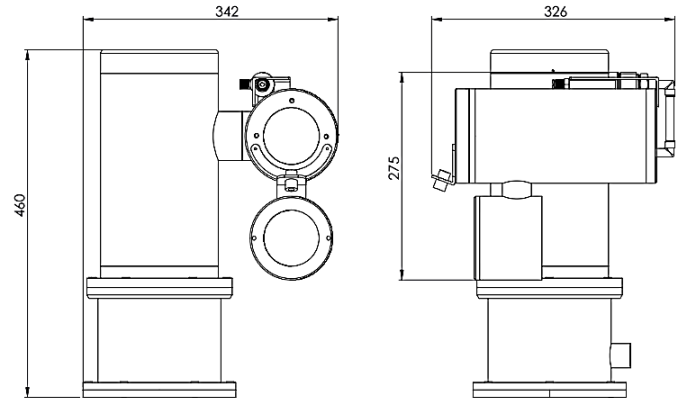
Camera	
Day/Night	Automatically removable IR-cut filter
Shutter Time	1~1/10K s
Noise Reduction	2DNR, 3DNR, NR by motion
Image Settings	Color, Brightness, Sharpness, Contrast, White Balance, Exposure Control, Masking, Text Overlay
Corridor Mode	Corridor Mode 90°, 180°, 270° rotation
Image	
Image Sensor	1/1.8" Progressive CMOS
Effective Pixels	HxV = 3864x2180, 8MP [4K]
Pixel Size	2.0 μm
Lens	f =6.4 mm (wide) to 138.5 mm (tele), F1.5
FOV	Horizontal: 64° (wide), 3° (tele) Vertical: 37° (wide), 2° (tele)
Zoom	22x Optical zoom, digital zoom ready
Min. Illumination	Color: 0.04Lux B/W: 0.002Lux
Frame Rate (Maximum)	H265: HDR 4K @30fps + d1@30fps HDR 6M @30fps + 720p @30fps
	H264: HDR 4K @30fps + d1@30fps HDR 6M @30fps + 720p @30fps
	MJPEG: 1080p @30fps
Compression Standard	
Video Compression	H.265/H.264/MJPEG
Video Streaming	Up to 4 individually configurable streams in H.265/ H.264/ MJPEG Configurable resolution/ frame rate/ bandwidth LBR/ VBR/ CBR in H.265/ H.264
Network	
Security	User Authentication/ HTTPS/ IP Filter/ IEEE 802.1x
Supported Protocols	ARP, PPPoE, IPv4/v6, ICMP, IGMP, QoS, TCP, UDP, DHCP, UPnP, SNMP, SMTP, RTP, RTSP, HTTP, HTTPS, FTP, NTP, DDNS
ONVIF	Profile S/ G/ Q/ T conformant
System Integration	
General Events	Motion Detection/ Tampering
Intelligent Video Analytics	<i>(optional upon request)</i> Human, Vehicle & Object Detections for Tripwire / Intrusion / Loitering / Abandoned Object / Missing Object / Parking Detection / Crowd Detection
Advanced Analytics	<i>(optional upon request)</i> Fire Detection or Smoke Detection
Intelligent Platform	<i>(optional upon request)</i> Simplify Unified Intelligent Platform Integration, Radar Tracking Integration
General	
Storage	Support for microSD/ microSDHC/ microSDXC card Support for recording to NAS

*Analog camera and other camera module options are available upon request.

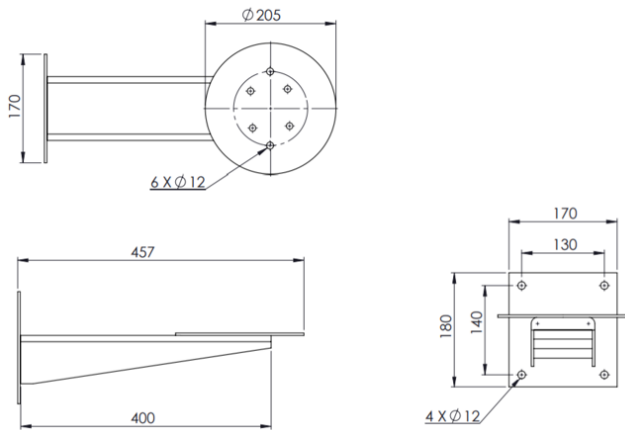
Outline Dimensions (mm)



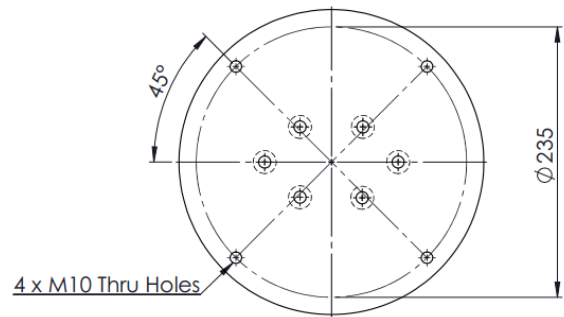
SS1PTZ-AC Outline Dimensions



SS1PTZ-AC-LED Outline Dimensions



WB-SS1PTZ - Wall Bracket Outline Dimensions



PTA-SS1PTZ - Pole Top Mounting Adapter Outline Dimensions

SS1PTZ - AC - X - 22x4K

Camera Station Options

Blank : Standard Air-Cooled PTZ Camera Housing
LED : With LED Illuminator

Optional Accessories

WB-SS1PTZ : Wall Bracket
SPT-SS1PTZ : Sunshield for Pan & Tilt Body
PTA-SS1PTZ : Pole Top Mounting Adapter
AFR : Air Filter Regulator